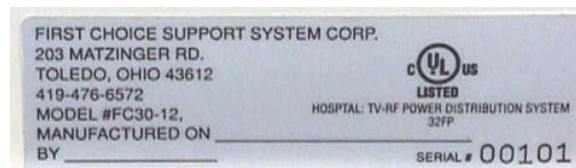


FC30-12 RF/TV Power Supply Installation Instructions

The FC30-12RF/TV Power Supply has been tested and found compliant to applicable requirements of the Underwriter Laboratories, Inc. For continued safe operations, please read, understand, and follow the installation and safety instructions.



The installation of the FC30-12 RF/TV Power Supply is simply a matter of:

- Mounting the unit securely to a wall capable of supporting thirty three (33lbs) pounds
- Connecting the coaxial cable for signal-in
- Connecting the coaxial cables for power/signal-out to the monitors
- Plugging in the power cable

The FC30-12 RF/TV Power Supply's dimensions are 15"(381 mm) x 15 ½" (394 mm) x 4 ¾" (121 mm). These dimensions include the top & bottom mountings flanges and the side lid brackets. (See page 5 for dimensional drawings)



The unit should be installed by licensed personnel **in conformity with local and national codes.**

IMPORTANT SAFETY INSTRUCTIONS

1. **Read, understand, and follow these instructions.**
2. **Keep instructions for future reference.**
3. **Read, understand and follow all safety warnings.**
4. **Follow all instructions.**
5. **Do not use power supply near water.**
6. **Clean only with a dry cloth.**
7. **Do not block any of the ventilation openings. Install in accordance with the manufacturers instructions.**
8. **Do not install near any heat sources such as radiators, heat registers, stoves, or other apparatus (including amplifiers) that produce heat.**
9. **Do not defeat the safety purpose of the polarized or grounding- type plug. A polarized plug has two blades with one wider than the other. A grounding type plug has two blades and a third grounding prong. The wide blade and the third prong are provided for your safety. When the provided plug does not fit into your outlet, consult a licensed electrician for replacement of the obsolete outlet.**
10. **Protect power cord from being walked on or pinched particularly at plugs, convenience receptacles, and the point where they exit from the Power Supply.**
11. **Only use attachments/accessories specified by the manufacturer.**
12. **Unplug the Power Supply during lightning storms or when unused for long periods of time.**
13. **Refer all servicing to qualified service personnel. Servicing is required when the Power Supply has been damaged in any way, such as power-supply cord or plug is damaged, liquid has been spilled or objects have fallen into the Power Supply, the Power Supply has been exposed to rain or moisture, does not operate normally, or has been dropped.**
14. **The Power Supply shall not be exposed to dripping or splashing and no objects filled with liquids, such as vases, shall be placed on the Power Supply.**

SAFETY INFORMATION

TO REDUCE THE RISK OF FIRE AND ELECTRIC SHOCK, DO NOT EXPOSE THIS UNIT TO RAIN OR MOISTURE.

CAUTION: To reduce the risk of fire and electric shock, do not remove the cover (or back) of the unit. Refer servicing only to qualified service personnel.



The lightning flash with arrowhead symbol, within an equilateral triangle, is intended to alert the user to the presence of uninsulated “dangerous voltage” within product’s enclosure that may be of sufficient magnitude to constitute a risk of electric shock.

The exclamation point within an equilateral triangle is intended to alert the user to the presence of important operation and servicing instructions in the literature accompanying the appliance.

WARNING: TO PREVENT ELECTRIC SHOCK, MATCH WIDE BLADE OF PLUG TO WIDE SLOT, FULLY INSERT.

IMPORTANT SAFE GUARDS

In addition to the careful attention devoted to quality standards in the manufacture of your video product, safety is a major factor in the design of every instrument. However, safety is your responsibility, too. This sheet lists important information that will help to assure your enjoyment and proper use of the video product and accessory equipment. Please read them carefully before operation and using your video product.

Installation

1. Read, understand and follow instructions - All the safety and operation instructions should be read and understood before the video product is operated. Follow all safety and operating instructions.
2. Retain Instructions - The safety and operating instructions should be retained for future reference.
3. Heed all Warnings - Comply with all warnings on the video product and in the operating instructions.
4. Polarization - This video product is equipped with a polarized alternating current line plug.

This plug will fit into a standard power outlet. If the plug fails to fit, contact your electrician to replace your obsolete outlet. To prevent electric shock, do not use this polarized plug with an extension cord, receptacle, or other outlet unless the blades can be fully inserted without blade exposure. If you need an extension cord, use a polarized – grounding type plug with a minimum 14 awg cord.

5. Power Sources - This video product should be operated only from the type of power source indicated on the marking label. If you are not sure of the type of power supply, consult your local power company.
6. Overloading – Do Not overload wall outlets or extension cords as this can result in a risk of fire or electric shock. Overloaded AC outlet, extension cords, frayed power cords, damaged or cracked wire insulation, and broken plugs are dangerous. They may result in a shock or fire hazard. Periodically examine the cord, and if its appearance indicates damage or deteriorated insulation, have it replaced by your service technician.
7. Power – Cord Protection – Power supply cords should be routed so that they are not likely to be walked on or pinched by items placed upon or against them, paying particular attention to cords at plugs, convenience receptacles, and the point where they exit from the video product.
8. Ventilation – Slots and openings in the case are provided for ventilation to ensure reliable operation of the video product and to protect it from overheating. These openings must not be blocked or covered. The openings should never be blocked by mounting the video product closer to other objects than the recommended clearances. This video product should not be placed in a built-in installation such as a bookcase or rack, unless proper ventilation is provided or the video product manufacturer’s instructions have been followed.
9. Attachments – Do not use attachments unless recommended by the video product manufacturer as they may cause hazards.
10. Water and Moisture – do not use this video product near water for example bath tub, wash bowl, kitchen sink or laundry tub, in a wet basement or near a swimming pool and the like. Caution, Maintain electrical safety. Power line operated equipment or accessories connected to this unit should bear safety certification mark on the accessory itself and should not be

FC30-12 RF/TV Power Supply Installation Instructions

modified so as to defeat the safety features. This will help avoid any danger and should not be modified so as to defeat the safety features. This will help avoid any potential hazard from electrical shock or fire. If in doubt, contact qualified service personnel.

11. **Accessories** – Do not place this video product on an unstable cart, stand, tripod, bracket, or table. The video product may fall, causing serious injury to a child or adult as well as serious damage to the video product. Use the video product only with a cart, stand, tripod, bracket, or table recommended by the manufacturer's or sold with the video product. Any mounting of the product should follow the manufacturer's instructions and use of a mounting accessory recommended by the manufacturer.
12. A video product and cart combination should be moved with care. Quick stops, excessive force, and uneven surfaces may cause the video product and cart combination to overturn.
Note to CATV system installer.
This reminder is provided to call the CATV system installer's attention to Section 820-40 of the NEC which provides guidelines for proper grounding and, in particular, specifies that the cable ground shall be connected to the grounding system of the building, as close to the point of cable entry as practical.
13. **Outdoor Antenna Grounding** – If an outside antenna or cable system is connected to the video product, be sure the antenna or cable system is grounded so as to provide some protection against voltage surges and built-up static charges. Section 810 of the National Electrical Code, ANSI/NFPA No. 70-1984 (Section 54 of Canadian Electrical Code, Part 1) provides information with respect to proper grounding of the mast and supporting structure, grounding of the lead-in wire to antenna-discharge unit, connection to grounding electrodes, and requirements for the grounding electrode.
14. **Power Lines** – An outside antenna system should not be located in the vicinity of overhead power lines, other electric light or power circuits, or where it can fall in to such power lines or circuits. When installing an outside antenna system, extreme care should be taken to keep from touching or approaching such power lines or circuits, as contact with them might be fatal. Installing an outdoor antenna can be hazardous and should be left to a professional antenna installer.

USE

15. **Cleaning** – Unplug this video product from the wall outlet before cleaning. Do not use liquid cleaners or aerosol cleaners. Use a soft dry cloth for cleaning.

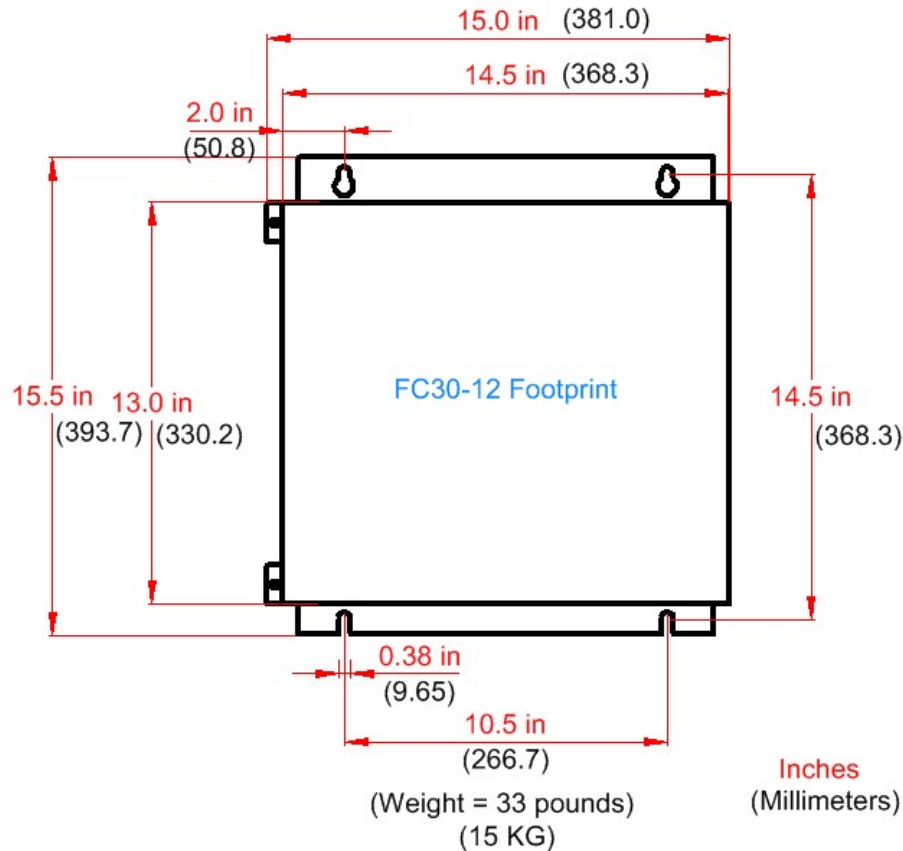
16. Objects that may touch dangerous voltage points or "short-out" parts could result in a fire or electric shock. Never spill liquid of any kind on the video product.
17. **Lightning** – For added protection for this video product during a lightning storm, or when it is left unattended and unused for long periods of time, unplug it from the wall outlet and disconnect the antenna or cable system. This will prevent damage to the video product due to lightning and power line surges.

Service

18. **Servicing** – Do not attempt to service this video product yourself, as opening or removing covers may expose you to dangerous voltage or other hazards. Refer all servicing to qualified service personnel.
19. **Conditions requiring service** – unplug this video product from the wall outlet, refer to servicing to qualified service personnel under the following conditions:
 - A. When the power-supply cord or plug is damaged.
 - B. If liquid has been spilled, or objects have fallen in to the video product.
 - C. If the video product has been exposed to rain or water.
 - D. If the video does not operate normally by following the instruction manual. Adjust only those controls that are covered by operating instructions. Improper adjustment of other controls may result in damage and will often require extensive work by a qualified technician to restore the video product to its normal operation.
 - E. If the video product has been dropped or cabinet has been damaged.
 - F. When the video product exhibits a distinct change in performance- this indicates a need for service.
20. **Replacement Parts** – When replacement parts are required, have the service technician verify that the replacements he uses have the same safety characteristics as the original parts. Use of replacements specified by the video product manufacturer can prevent fire, electric shock, or other hazards.
21. **Safety Check** – Upon completion of any service or repairs to this video product ask the service technician to perform safety checks recommended by the manufacturer to determine that the video product is in safe operating conditions.
22. **Wall or Ceiling Mounting** – The product should be mounted to a wall or ceiling only as recommended by the manufacturer.
23. **Heat** – The product should be situated away from heat sources such as radiators, heat registers, stoves, or other products (including amplifiers) that produce heat.

FC30-12 RF/TV Power Supply Installation Instructions

The top mounting holes are keyholes and the bottom mounting holes are slots which will allow for pre-installation of all of the mounting screws.



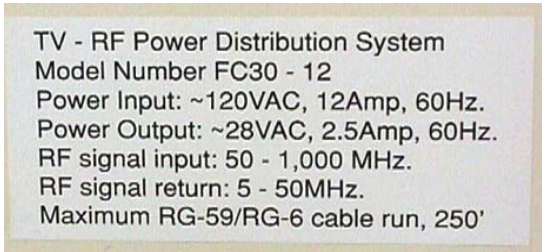
Installation of the Unit

- Install the unit firmly by securing it to the wall and studs.
- Install the unit so that the power cord male input power connector is located in the down position.
- Insure that the unit has a minimum clearance of 12" (304.8mm) on the top, bottom, and left cable exit side and a minimum of 6" (152.4mm) on the right side to allow for adequate ventilation

Side exit for the cables is the preferred method for installing the video cables. If needed, three one (1) inch Knockouts are provided on each the top and the bottom. The knockouts should only be used if no other options exist for the exiting coaxial cables.

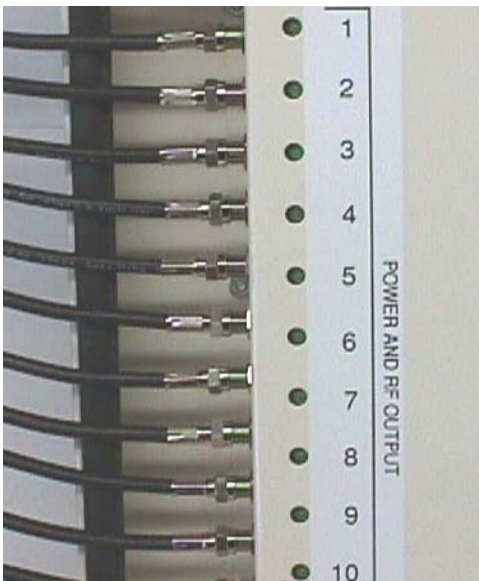
General Specification for the FC30-12

Power-In	110-120 VAC	12 Amp Breaker	60 Hz
Power-Out	28 VAC	2.5 Amps / Output	Total 1010 VA
RF Frequencies	5-1000 MHz	Bi-Directional	
Coaxial Cable	Recommend RG-6 Solid Copper Core Full Braided Copper Shield		



The maximum ambient temperature of the area selected for the installation of the FC30-12 should not exceed 104 degrees Fahrenheit or 40 degrees Centigrade.

Coaxial Cable Selection



First Choice highly recommends that a U/L rated RG-6 cable should be used for all installation. The cable has a nominal impedance of 75 ohms and a DC resistance of 1.6 ohms per 250 feet. In addition, the cable should have a solid copper 18 AWG conductor with a braided copper shield. The frequency response should cover the range of 5 Mhz to 1000 Mhz. The outer coating can be PVC or some other suitable material.

RG-59 can be used. As with the RG-6, it is recommended that the cable has a solid copper 20 AWC conductor with a braided copper shield. The RG-59 has a higher DC resistance of approximately 6 ohms per 250 ft

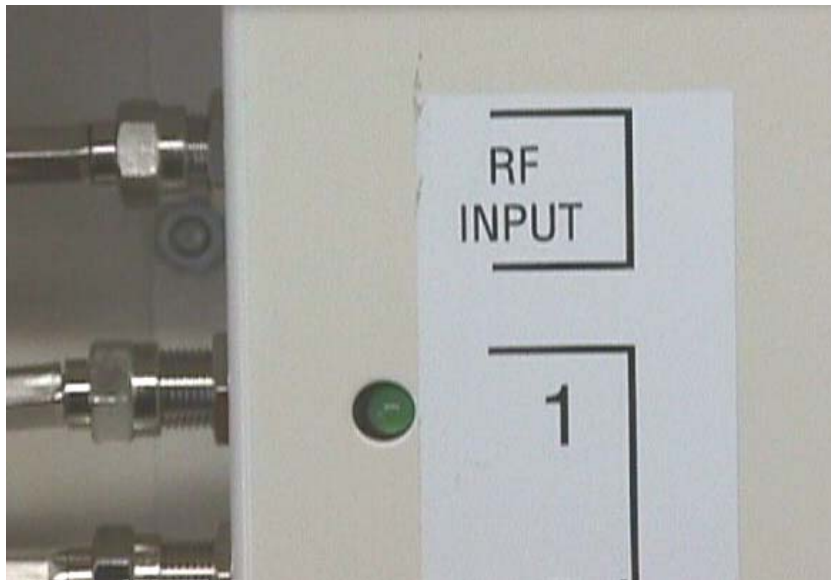
FC30-12 RF/TV Power Supply Installation Instructions

and a higher attenuation at upper video frequencies. It is very important with both cable selections to select a good "F" connector and use proper installation techniques to attach the "F" connector to the coaxial cable. At least ¼ inch of braid should be exposed and connected to the connector. This allows a good low resistance connection and insures maximum power is delivered out to the Televisions.

Avoid sharp bends and tight radius. The cables are easily connected to the power supply by installing them from the left side of the unit. This allows a straight in approach and a gentle bending of the cables to a tray or conduit.

Video Signals

RF In



The input CATV "F" connector is attached to the Video and Power distribution unit at the female "F" connector marked RF In. The unit splits and distributes the video signal to the twelve (12) "F" connector female taps. In accomplishing this, the signal is attenuated. It is recommended that the signal should be amplified to a level of +26db. The distribution coaxial cable will attenuate the outgoing signal. Expect at least 7.4db loss for every 100 ft of RB-6 and 10.5db loss for every 100 ft of RG-59. First Choice can supply a wide band Bi-directional Amplifier, part # FC30-12VA to boost the signal. The amplifier is installed inside of the power supply. It can be purchased with the original unit or can be added as a field retrofit.



FC30-12 RF/TV Power Supply Installation Instructions

Input Power



The FC30-12 is supplied with an 8 foot hospital grade power cord which plugs into a standard 120 VAC outlet. The female receptacle plugs into the male receptacle located on the bottom of the



unit. The Power and video distribution unit mounts

vertical so that the power cord hangs down from the unit. A strain relief is supplied with the unit. It fits around the power cord and is secured to the underside of the power supply. A Phillip's head screw, also supplied, screws into the hole located on the bottom of the unit.

Power up procedures

After physically attaching the unit to the wall, connect the TV CATV cables into the designated Taps. The location of each TV and room can be noted on the label opposite the Tap. This will allow for ease in trouble shooting if future problems with the corresponding TV occur.

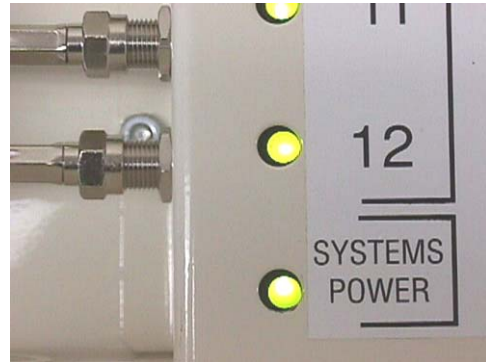


FC30-12 RF/TV Power Supply Installation Instructions

Next, connect the CATV video input cable in to the female “F” connector labeled “RF Input”. Take extra precautions not to plug the RF Input cable into one of the TV Outlet connectors. Serious damage to the video source could occur because of the 28VAC power on the outputs.

Plug in the male power receptacle into a 120 VAC power receptacle. When all cables are connected, power to the unit can be supplied by plugging female power portion of the power cord into the male receptacle of the unit.

Check all LED's. The Power on LED will be green indicating that the unit is on and supplying the required 28 volts AC. If the Power on LED is not green, check the 12amp circuit breaker located on the bottom of the unit next to the input male power receptacle. Reset the breaker and check for the green LED. If the LED is not green, unplug the unit and call First Choice Support Systems Group.



The LED's associated with each tap should also be green. If an LED is not green, disconnect the cable associated with the tap. At this point the LED should turn green, if it does not, turn off the unit and call First Choice. If the LED is green, check the cable and the Television for shorts or malfunctions associated with the appropriate device. If the LED blinks off and on, this is an indication that the Television associated with that cable and tap is malfunctioning. Check the TV or replace it with one that is known to work.

When all LED's have turned green and all cables are connected, turn on the TV's and recheck the status of the LED's. All should be green. When all units are functioning, the panel can be closed and secured by two screws supplied with the unit. This will captivate and secure all coaxial cables.

Warranty Policy

Warranty and Special Provisions for the U.S. & Any Other Country

Limited Warranty

First Choice Support warrants that any electronics assembly will be free from defects in materials and workmanship under normal use and service for a period of one (1) year from the date of receipt. Some states/jurisdictions do not allow limitations on duration of an implied warranty, so the above limitation may not apply to you. This warranty is voided if the electronic assembly's serial number or any identifying marks have been removed. If your electronic assembly needs repair, you must call 419-476-6572 to obtain a return authorization number prior to shipping. No return shipments will be accepted without a return authorization number on the outside of the shipment.

Customer Remedies

First Choice Support's entire liability and your exclusive remedy shall be, at our option, either (A) return of the price paid, or (B) repair or replacement of the electronic assembly that does not meet this limited warranty and which is returned to First Choice Support System Corp. This limited warranty is void if failure of the electronic assembly has resulted from improper installation, vandalism, accident, abuse, misuse or misapplication. Any replacement electronic assemblies will be warranted for the remainder of the original warranty period or thirty (30) days. Which ever is longer.

No Other Warranties

To the maximum extent permitted by applicable law, First Choice Support disclaims all other warranties, either express, implied or statutory, including, but not limited to implied warranties of merchantability and fitness for a particular purpose, with regard to any hardware. This limited warranty gives you specific legal rights. You may have others which vary from state/jurisdiction to state/jurisdiction.

No Liability For Consequential Damages

To the maximum extent permitted by applicable law, in no event shall First Choice Support be liable for any damages whatsoever (including without limitation, special, incidental, punitive, consequential, or indirect damages for personal injury, loss of business profits, business interruption, loss of business information or any other pecuniary loss) arising out of the use of or inability to use this product, even if First Choice Support has been advised of the possibility of such damages. In any case, First Choice Support's liability under any provision of this agreement shall be limited the amount actually paid by you for the electronic assembly. Because some states/jurisdictions do not allow the

FC30-12 RF/TV Power Supply
Installation Instructions

exclusion or limitation of liability for consequential or incidental damages, the above limitation may not apply to you.

Governing Law and General Provisions

This agreement will be governed by the laws in force in the state of Ohio excluding the application of its conflicts of law rules. This agreement will not be governed by the United Nations convention on contracts for the international sale of goods, the application of which is expressly excluded. If any part of this agreement is found void and unenforceable, that particular provision will be deemed modified to the extent necessary to make the provision valid and enforceable, and the remaining provisions will remain in full force and effect. Any revision shall not affect the validity of the balance of the agreement, which shall remain valid and enforceable according to its terms. You agree that the electronic assembly will not be shipped, transferred or exported into any country or used in any manner prohibited by the United States Export Administration Act or any other export laws, restrictions or regulations. This agreement and provisions may only be modified by a written document signed by an authorized officer of the First Choice Support System Corporation.

Return Policy

If your electronic assembly needs to be repaired or replaced, you must call 419 476 6572 to obtain a return authorization number prior to shipping. No return shipments will be accepted without a return authorization number on the outside of the shipment. If you must ship the electronic assembly to First Choice Support or an authorized First Choice Support dealer, you must prepay shipping and either insure the hardware or assume all risk of loss or damage in transit.

Note: Please read the First Choice Support Warranty Policy before requesting a return authorization number.

First Choice Support System Corporation

203 Matzinger Road
Toledo, Ohio 43612

Phone: 419-476-6572

Fax: 419-476-1324

Please Visit Our Website

www.FirstChoiceSupport.Com