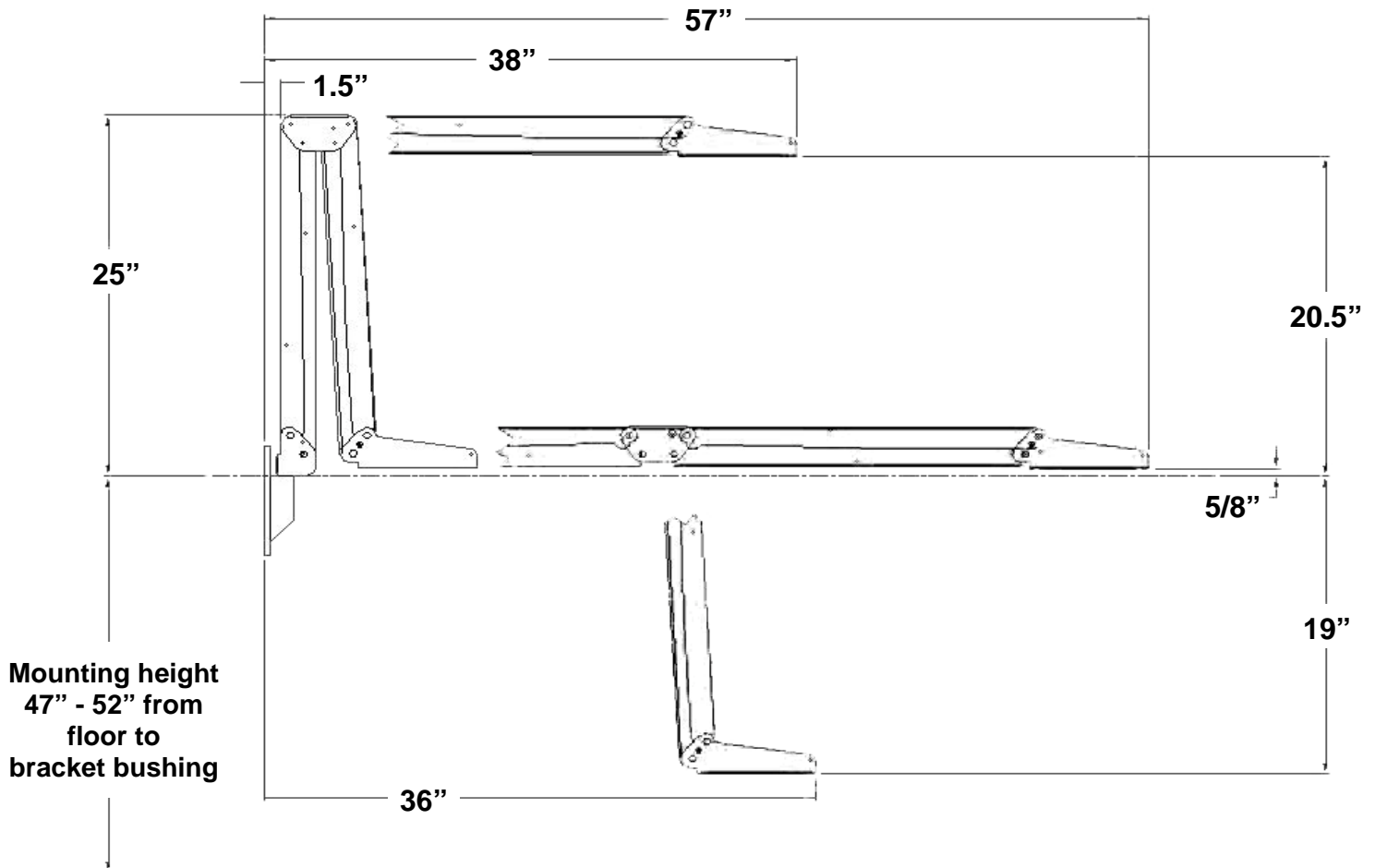


# FC-100 Arm Operating Envelope



Arm load range = 10 - 20 pounds  
Unloaded arm weight = 15.5 pounds  
K10 TV weight = 15 pounds